

Pendant&Surface CS3535

CS3535-A90





CS3535-A90

Basic Parameters

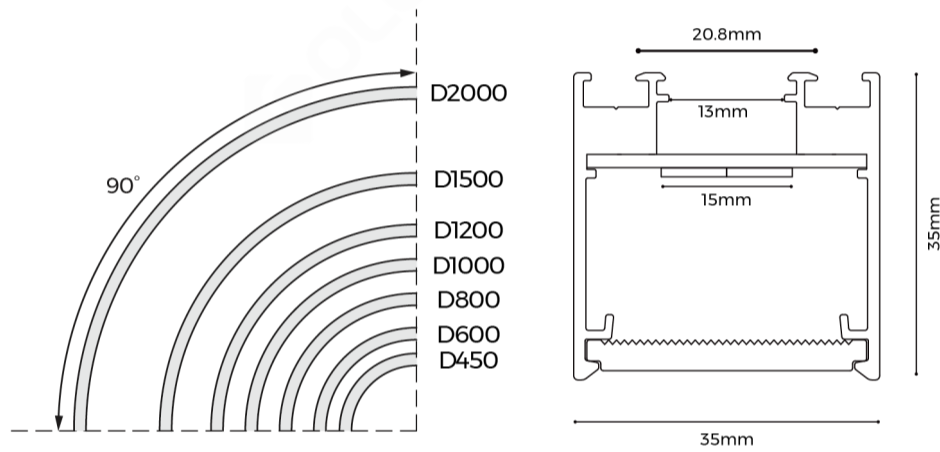
Application	Indoor
Material	AL6063-T5,spraying surface
IP Grade	IP20
Warranty	5 years

Electrical Parameters

Optical Parameters

Length	D450mm,D600mm,D800mm,D1000mm,D1200mm,D1500mm,D2000mm
Luminous Efficacy	70LM/W

Dimensions

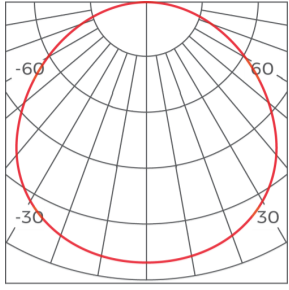


Luminaire Parameters

Version	Size(mm)	Power(W)	PCB Current(A)	CRI	CCT	Lumens(LM) @White,Sliver	Lumens(LM) @Black
Regular	D450mm	6	0.25	>80	4000K	420	357
Regular	D600mm	9	0.38	>80	4000K	630	535
Regular	D800mm	12	0.5	>80	4000K	840	714
Regular	D1000mm	14	0.58	>80	4000K	980	833
Regular	D1200mm	18	0.75	>80	4000K	1260	1071
Regular	D1500mm	22	0.92	>80	4000K	1540	1309
Regular	D2000mm	30	1.25	>80	4000K	2100	1785
Regular	D450mm	6	0.25	>90	4000K	361	307
Regular	D600mm	9	0.38	>90	4000K	541	460
Regular	D800mm	12	0.5	>90	4000K	722	614
Regular	D1000mm	14	0.58	>90	4000K	842	716
Regular	D1200mm	18	0.75	>90	4000K	1083	921
Regular	D1500mm	22	0.92	>90	4000K	1324	1125
Regular	D2000mm	30	1.25	>90	4000K	1806	1535

Light Distribution

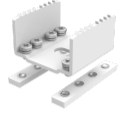
Regular-110°



h(m)	D(cm)	E(lx)
1	277	340
2	554	85
3	831	37
4	1108	20

Common Accessories

Splicing accessory



EX-E15

Applicable product model: CS3535/C E3535 Material process:SPCC/ Electro phoresis Size: L31.5*W30*H18mm Quantity: 1 PCS/SET Other:Includes mounting screws.

Dedicated light source



DA1682415

Applicable product model : AS3535/AH5060 Size: 5000*15*1.5mm Cutting Unit : 35.71mm Input Voltage : DC24V Typ.Power : 20W/M Typ.luminous flux: 756LM/M CCT:RGB CRI: / Other : 20# wire diameter, outer diameter 5mm, red-green-blue-white 4PIN transparent crystal cable



DMA1202415

Applicable product model : AS3535/AH5060 Size: 4000*15*1.5mm Cutting Unit : 50mm Input Voltage : DC24V Typ.Power : 25W/M Typ.luminous flux: 724LM/M CCT: RGB Control Mode:DMX CRI: / Other : 20# wire diameter, outer diameter 5mm, red-green-blue-white 4PIN transparent crystal cable



DS81602415

Applicable product model : AS3535/AH5060 Size: 5000*15*1.5mm Cutting Unit : 50mm Input Voltage : DC24V Typ.Power : 19.2W/M Typ.luminous flux: 2880LM/M CCT: 2700/3000/3500/4000/5000/6500K CRI: 80/90 Other : 18# wire diameter,PVC material, 2PIN red-black wire



DS83202415

Applicable product model:AS3535/AH5060 Size: 4000*15*1.5mm Cutting Unit:50mm/16LEDs Input Voltage:DC24V Typ.Power:38.4W/M(2700K+6500K) Typ.luminous flux: 2880LM/M@2700K CCT: 2700K+6500K CRI: 80/90 Other:Outer diameter 6mm,18# wire diameter, brown-blue-green 3PIN crystal wire

Cover



CV-CS3535D

Applicable product model:CS3535/C S3570/CE3535(suitable for down-lighting) Diffuser Nature: Diffuser Material process: silica gel flexible/frosting Light transmittance:≥55% Size: 20000*32*3.5mm Other: Fire protection rating UL94-V2; increased silicone oil on both sides (dustproof)

Controller



CR2-GBA

Product Name: CR2-GBA Input Voltage: 12-48V Output Current:8A*2CH,Max 16A Output Power:192W/384W@12V/24V , 384W/576W@36V/48V Dimming Mode: Two-color 2.4 remote control IP:IP20 Product Size:L175*W45*H27(mm)

End cap accessory



EC-MS3535

Applicable product model: MS3535
Material process: aluminum/ powder spraying
Size: L35*W35*H2.5mm
Quantity: 2PCS/ set

Installation accessory



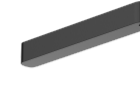
CL-01

Applicable product model: LE1616/LG2323/LG2727/LG7043/LG7070/LR0812/LR1613/LR1616/LR2013/LR3735/LR3840(A)/LR3840(B)/LR3924/LR3943/SK10032/SK6013(A)/SK6013(B)/LR5535(A)/LR5535(B)/LS3360/LS4067/LS5470(F)/LS7977/AS3535-2500/AS3535-08A45/90/AS3535-15A45/90/AS3535-30A45/AS3535-03A90/AS3535-03N90/AS3535-03W90/AS3535-15N90/AS3535-15W90/LR25/BH3360/BH5470/BH7977/BS3360/BS5470/BS7977
Installation method: Ceiling
Material process: Carbon Steel
Size: M3.5*40mm
Quantity: 4 PCS/ set
Others: 4 pcs screws + 4 pcs expansion tube



CP-53

Applicable product model: MS3535/MS3570/ME3535
Applicable installation: Pendant/Ceiling/Recessed
Material process: Stainless Steel
Size: L22.67*W20*H5.3mm
Quantity: 4 PCS/SET



PB-09

Applicable product model: CS3535/CS5035/CS7035/CS3570/CS5070/CS7070
Installation method: pendant (Power box with wire)
Material process: SPCC/powder spraying
Maximum weight capacity: 8Kg
Size:
Power Box: L400*W55*H50mm
Wire: D3*2000mm
Quantity: 1PCS/ set
Note:
1. Including 1PCS Power Box + 1PCS input wire; Power supply not included.
2. One power box holds one power supply
3. Need to order separate clip (CP-XX) to use with it



PB-10

Applicable product model: CS3535/CS5035/CS7035/CS3570/CS5070/CS7070
Installation method: pendant (Power box with rod)
Material process: SPCC/powder spraying
Size: Power Box: L400*W55*H50mm
Rod: 1-2 meter adjustable
Wire: D3*2000mm
Quantity: 1PCS/ set
Note:
1. Including 1PCS Power Box + 1PCS input wire + 1PCS rod; Power supply not included.
2. One power box holds one power supply
3. Need to order separate clip (CP-XX) to use with it



PG-IXXX

Applicable product model: LS1911C/LS1911K/LS3535/LS5050/LS3360/LS4067/LS5470(F)/LS7977/LT60/BH3360/BH5470/BH7977/BS3360/BS5470/BS7977/LS60/S60/LS25/LH40FD/LH40FP/LH40G/LS40FD/LS40FP/LS40G/LS40GW/M20FD/M20G(A)/M20G/M20I/M20S/R25FD/R25FP/R25G/R25KD/R25L/R35I/R35S/RNR30MJ/RNR30NJ/RNR30NK
Installation method: pendant
Material process:
Maximum weight capacity: 8KG
Quantity: 2PCS/ set
Other: Pendant rod (1-2m adjustable), include 2pcs pendant rods, 2 pcs rectangular screw



PN(E)-D

Applicable product model: LINE E CO series
Installation method: Pendant
Material process: Nickel plating
Size: /
Quantity: 2PCS/SET
Other: 2 meter wire rope 2PCS, cable locker 2PCS, cable holder 2PCS, M5 flat head Phillips screws 2PCS, M4*35mm screws 2PCS, expansion tube 2PCS



PN-DXX

Applicable product model: LS1911C/LS1911K/LS3535/LS5050/LS3360/LS4067/LS5470(F)/LS7977/LT60/BH3360/BH5470/BH7977/BS3360/BS5470/BS7977/LS5470(F)/LS7977/LT60/LINE40 series product/LINE60 series product/TLS-R6X0 track
Installation method: Pendant
Material process: Pearl Chrome
Size: /
Quantity: 2PCS/ set
Other: Junction box not included, 2 pcs pendant cable accessory, pendant cable length 4m, rectangular screw model.



PP-A

Applicable product model: CS3535/CS5035/CS7035/CS3570/CS5070/CS7070
Installation method: pendant (Ceiling plate with wire)
Material process: Fe/powder spraying
Maximum weight capacity: 3Kg
Size: Ceiling Plate: D88*29mm/Wire: D3*2000mm
Open hole: D75mm
Quantity: 1PCS/ set
Note: 1. Including 1PCS Ceiling plate + 2PCS springs + 1PCS input wire. 2. One ceiling plate holds one power supply. 3. Need to order separate clip (CP-XX) to use with it.



PP-G

Applicable product model: CS3535/CS5035/CS7035/CS3570/CS5070/CS7070
Installation method: pendant (Ceiling plate with rod)
Material process: Fe/powder spraying
Maximum weight capacity: 3Kg
Size: Ceiling Plate: D88*29mm/Rod: 1-2 meter adjustable/Wire: D3*2000mm
Open hole: D75mm
Quantity: 1PCS/ set
Note: 1. Including 1PCS Ceiling plate + 2PCS springs + 1PCS input wire + 1PCS rod. 2. One ceiling plate holds one power supply. 3. Need to order separate clip (CP-XX) to use with it.

CCT-Remote control



R7-1

Product Name: R7-1 Dual Color Remote
Working Voltage: 3VDC (Battery CR2032)
Operating Frequency: 2.4GHz
Remote Control Distance: 30 meters
Operating Temperature: -30°C ~ 55°C
Product Size: L107*W58.5*H9(mm)

Power Supply



BK-DEV200-24V0D
 Applicable product model: General
 Dimming mode: DALI2,PUSH-dimming,1-10V 3in1 dimming
 Size: 361*33.1*22.8mm
 Input voltage: AC200-240V
 Operating frequency: 50/60Hz
 PF value: ≥0.9
 Output voltage: DC24V
 Output current: ≤8.3A
 Power: 200W
 Efficiency: 0.92
 Certification: TUV, CE, RCM
 Case material: Metal housing



BK-DGVX-24V0D
 ProductName: BK-DGV036-24V0D/BK-DGV060-24V0D/BK-DGV100-24V0D
 Applicable product model: General
 Output power: 36W/60W/100W
 Output current: ≤1.5A/≤2.5A/≤4.2A
 Product size: 245.0*30.0*21.0mm/285.0*30.0*21.0mm/355.0*30.0*21.0mm
 Input voltage: AC200-240V
 Operating frequency: 50/60Hz
 Output voltage: DC24V
 PF value: ≥0.9
 Efficiency: ≥0.88
 IP: IP20
 Dimming mode: DALI-2,PUSH-Dimming,1-10V 3in1 Dimming
 Certification: CE, ENEC, UKCA, RCM, CCC, EL
 Material: Metal housing
 Warranty: 5 years



BK-MEV200-24V0M
 Applicable product model: General
 Dimming mode: 1-10V Dimming
 Size: 321.5*48*30mm
 Input voltage: AC200-240V
 Operating frequency: 50/60Hz
 PF value: ≥0.9
 Output voltage: DC24V
 Output current: ≤8.3A
 Power: 200W
 Efficiency: 0.93
 Certification: CE, ENEC, UKCA, RCM, CCC, EL
 Case material: Metal housing



BK-MGVX-24V0M
 ProductName: BK-MGV036-24V0M/BK-MGV060-24V0M/BK-MGV100-24V0M
 Applicable product model: General
 Output power: 36W/60W/100W
 Output current: ≤1.5A/≤2.5A/≤4.2A
 Product size: 245.0*30.0*21.0mm/285.0*30.0*21.0mm/355.0*30.0*21.0mm
 Input voltage: AC200-240V
 Operating frequency: 50/60Hz
 Output voltage: DC24V
 PF value: ≥0.9
 Efficiency: ≥0.89
 IP: IP20
 Dimming mode: 1-10V Dimming
 Certification: TUV, CE, ENEC, RCM
 Material: Metal housing
 Warranty: 5 years



LF-GHYXH24
 Applicable product model: General
 Dimming mode: Non-Dimming
 Size: 316*30.7*22.8mm / 361*33.1*22.8mm
 Input voltage: AC220-240V
 Operating frequency: 50/60Hz
 PF value: ≥0.9
 Output voltage: DC24V
 Output current: ≤4.25A / ≤10A
 Power: 100W / 240W
 Efficiency: 0.92
 Certification: ENEC,CE,CB,RCM,UKCA,MM,CCC
 Case material: Plastic

Packing

QTY/CTN	N. WT (ctn)	G.WT (ctn)	Size (cm/carton)	Product Size (mm)
50	10.8	11.88	93*37.5*34	D450*35*35mm
40	11.5	12.65	78.5*48*34	D600*35*35mm
30	11.5	12.65	65*62.5*34	D800*35*35mm
25	12	13.2	76.5*59*34	D1000*35*35mm
20	11.5	12.65	90.5*64*27.5	D1200*35*35mm
21	18.8	20.68	112*83*21	D1500*35*35mm
12	10.2	11.22	147*63.5*21	D2000*35*35mm